

PART NAME

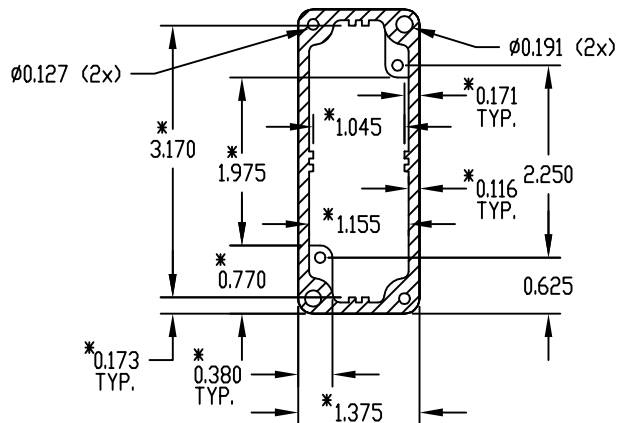
NEMA 4X DIE CAST ALUMINUM ENCLOSURE

PART No.

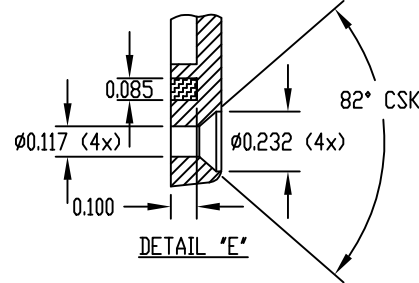
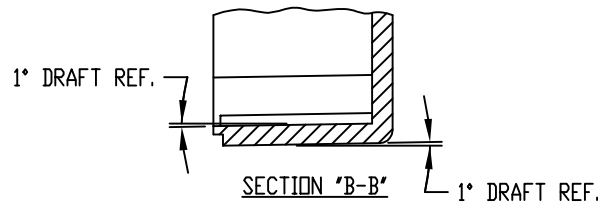
AN-1300, AN-1300-G, AN-2800 & AN-2800-B

REV. DATE

12-6-07



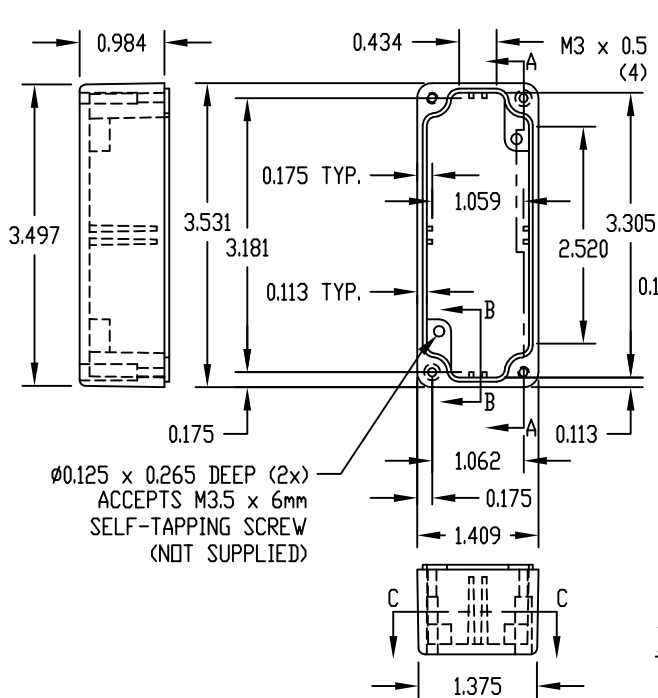
SECTION "C-C"  
\* DIMENSIONS ARE AT BOTTOM OF ENCLOSURE



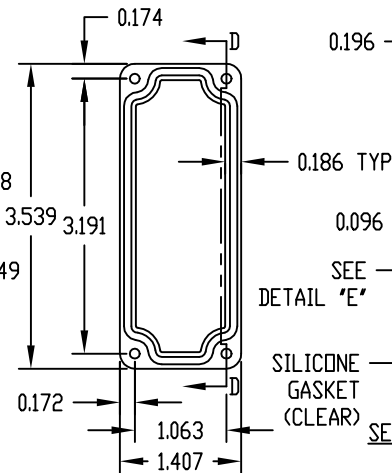
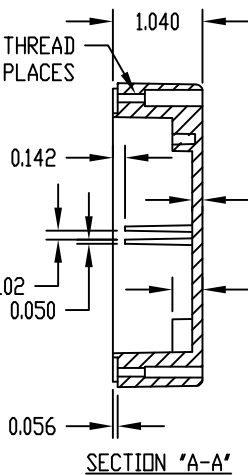
MATERIAL: ALUMINUM ALLOY #ADC-12

FINISH: NATURAL (NO SUFFIX)  
GRAY (SUFFIX -G)  
SMOOTH BLACK (SUFFIX -B)

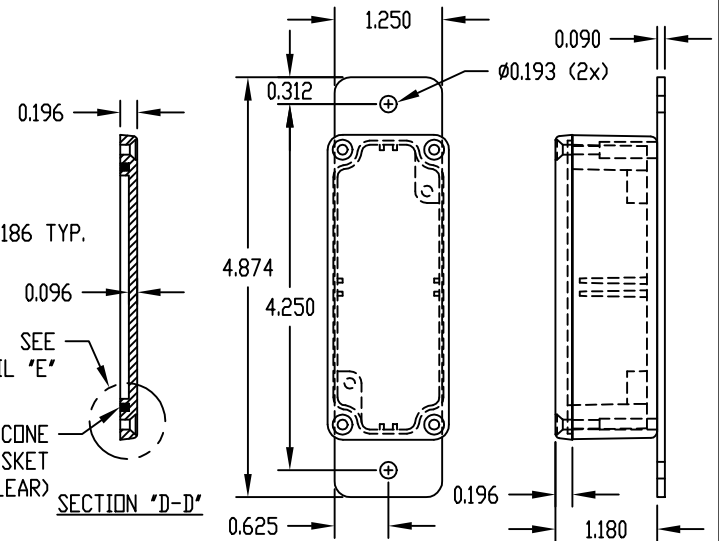
- NOTES:
- FOUR (4) M3 x 10mm (0.393") LG. SCREWS SUPPLIED FOR ASSEMBLY OF COVER TO BODY.
  - ALL HOLE DIAMETERS HAVE  $\pm 0.005$  TOLERANCE  
ALL OTHER DIMENSIONS HAVE  $\pm 0.015$  TOLERANCE



BODY



COVER



PART NO. AN-2800 & AN-2800-B ARE SUPPLIED WITH A WELDED ON MOUNTING BRACKET ONLY.